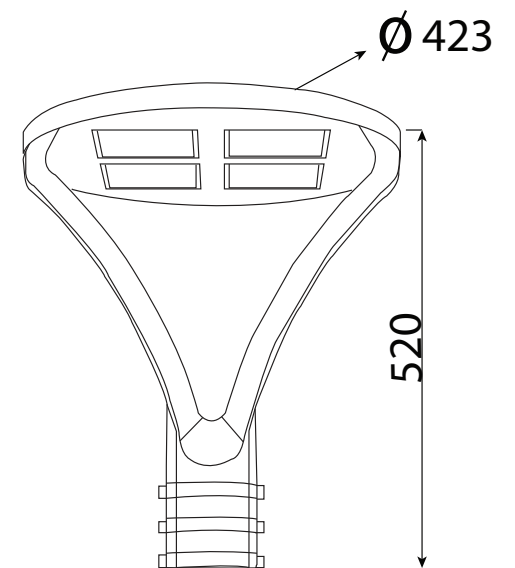


Garden Pole / Street Light



Model : iLED 60/100/150 PL 22

PRODUCT DESCRIPTION

The Facade/Projection luminaires are in the range of 60/100/150W. Universal power supply/drivers with input range of 90 V to 305 V AC 50/60 Hz and PF >0.95. The material used is Ventilated powder coated die cast aluminum with tempered glass & reflector. It is ideal for sign, Bulding facade, accent, general security lighting etc. Different fixture colours available on request.

SPECIFICATION

Material : Ventilated Powder Die cast Aluminum With PC Lens Glass
 Mounting : Pole Mount
 Lumen flux : 100-120LM/1W; 130-140LM/1W
 Rated Power : 60/100/150W
 Beam Angle : 90°, 12° OR 75° * 160°
 Color : WW/WW/NW
 Dimesion : D-423 x H-520 mm
 Pole Diameter : D-75mm
 IP Rating : IP67

ORDERING INFORMATION

iLED	60/100/150	PL	22	W	WW	NW
Brand Name	Rated Power	Outdoor Light	Model No.	White	Warm White	Neutral White