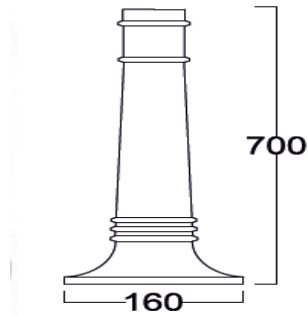


Designer Garden Pole / Street
Light
Garden Pole



Model: iLED XJ6137 03

PRODUCT DESCRIPTION

The Designer garden pole Floor mount is made of die cast aluminium. It is ideal for Ornamental Poles mounting base with 3 - 6 metre pole etc. Different fixture colours available on request.

SPECIFICATION

Material	: Aluminum die casting graphite black finish
Mounting	: Surface mount
Dimension	: D-275 X H-700 mm
Dimension	: H-630 mm
Application	: Bollard Mounting base with 3 metre pole