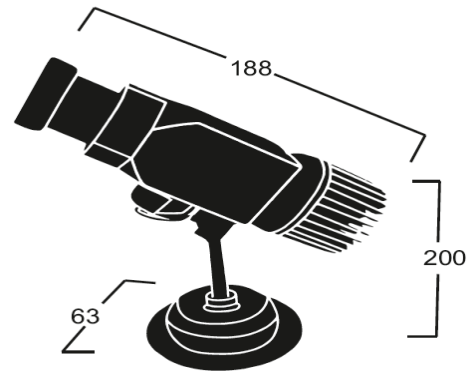


## GOBO LIGHT



**Model:** iLED GOBO Light

### PRODUCT DESCRIPTION

The surface mount holographic advertising machine is made of abs plastic with rotatable motor programmable. Universal power supply/drivers with input range of 12V DC /230 V AC ,PF >0.96. It is ideal for hologram advertising.

### SPECIFICATION

Material	: ABS plastic with rotatable motor programmable.
Led used	: CREE
Mounting	: Surface mount using mounting clamp
Power Supply	: 12V DC with adapter 230V AC
Voltage	: 12V DC
Power Factor	: >0.96
LED colors	: Red, Green, Blue
Dimension	: L-188 X W-83 X H-200 mm
Driver	: Internal
Operating Temp	: -40°C ~ + 70°C
CRI	: 85
IP Rating	: IP 20

### ORDERING INFORMATION

<b>iLED</b>	<b>GOBO</b>	<b>R</b>	<b>G</b>	<b>B</b>
Brand name	GOBO	Red	Green	Blue

The technical specifications may vary due to continuous improvement without prior notice.

\*Logos of products and companies are used for reference

[www.iled.in](http://www.iled.in)

iLED Lighting Systems Pvt Ltd  
Chennai, Tamil Nadu, India 600096