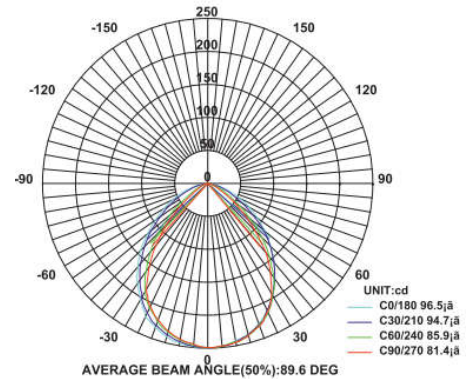
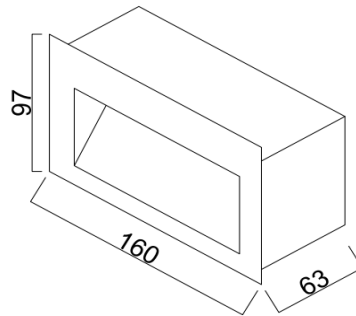


In wall Lights Outdoor



Model: iLED 9 IWL 09-IP 65

PRODUCT DESCRIPTION

The recessed mount wall luminaire is made of die cast aluminium with powder coating and glass depending on the fixture size it is available in the range of 5 W to 35 W. Universal power supply/drivers with input range of 90 V to 270 V AC 50/60 Hz and PF >0.96. It is ideal for outdoor, passages, corridors etc.

Different fixture colours available on request.

SPECIFICATION

Material	: Aluminum die cast with powder coated and glass
Mounting	: In wall
Power	: 9 W
Voltage	: 90 – 270 V AC, 50/60 Hz
Power Factor	: >0.96
LED colors	: White 6000-6400 K Neutral White 4000-4500 K Warm White 2700-3000 K
Lumen Flux	: 120-140 lm/W (lumen efficacy: 160 -180 lm)
Dimension	: L-160 X W-97 X H-63 mm
Cut out dimension	: L-157 X W-96 X H-60mm
Driver	: Internal
Operating Temp	: -40°C ~ + 70°C
CRI	: 85
IP Rating	: IP 65
Led used	: CREE
Dimmable Interface	: CASAMBI , Colour tunable (2700 K – 6000 K), DALI, Edge pulse/0/1-10 V dimming control (optional)

ORDERING INFORMATION

iLED	9	IWL	09	W	WW	NW
Brand name	Rated Power	In Wall Light	Model No.	White	Warm White	Neutral White

The technical specifications may vary due to continuous improvement without prior notice.

*Logos of products and companies are used for reference

www.iled.in

iLED Lighting Systems Pvt Ltd
Chennai, Tamil Nadu, India 600096