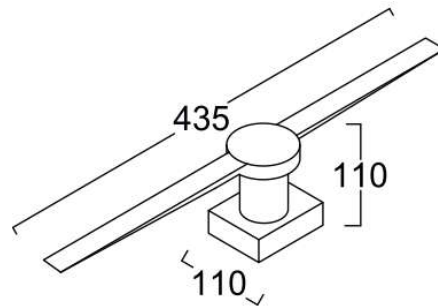


## Holographic Advertising Machine



**Model:** iLED 3D Holographic Fan

### PRODUCT DESCRIPTION

The surface mount holographic advertising machine is made of abs plastic with rotatable motor programmable. Universal power supply/drivers with input range of 12 V DC and PF >0.96. It is ideal for hologram advertising.

### SPECIFICATION

Material	: ABS plastic with rotatable motor programmable
Led used	: CREE
Mounting	: Surface mount using mounting clamp
Power Supply	: 12V DC with adapter 230V AC.
Voltage	: 12V DC
Power Factor	: >0.96
LED colors	: Red, Green, Blue
Dimension	: L-435 X W-110 X H-110 mm
Driver	: Internal
Control mode	: SD card, Software
Operating Temp	: -40°C ~ + 70°C
CRI	: 85
IP Rating	: IP 20

### ORDERING INFORMATION

Brand name	Holographic fan	Red	Green	Blue

The technical specifications may vary due to continuous improvement without prior notice.

\*Logos of products and companies are used for reference

[www.iled.in](http://www.iled.in)

iLED Lighting Systems Pvt Ltd  
Chennai, Tamil Nadu, India 600096