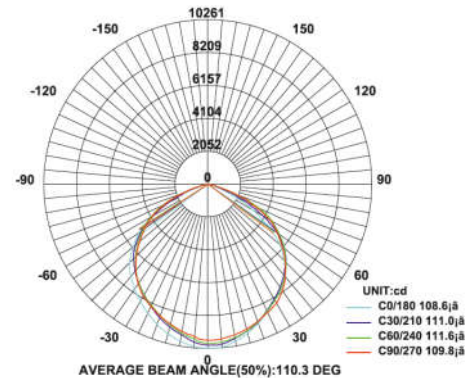
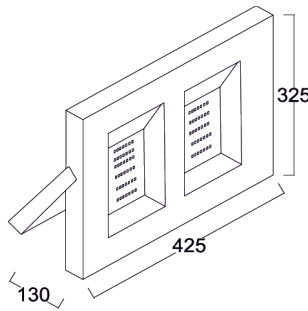


Flood/focus Lights



Model: iLED 200 FL EC 005

PRODUCT DESCRIPTION

The flood light luminaire is made of Die- cast aluminium provided with reflector and tempered glass and available in 30 W to 800 W. Universal power supply drivers with input range of 90 V to 270 V AC 50/60 Hz and PF >0.96. It is ideal for facade, hoarding, Sign board, building construction sites , petrol bunk etc. *Different fixture colours available on request.*

SPECIFICATION

Material	: Ventilated aluminum with reflector and tempered glass
Power	: 200 W
Voltage	: 90 – 270 V AC 50/60 Hz
Power Factor	: >0.96
LED colors	: White 6000-6400 K Neutral White 4000-4500 K Warm White 2700-3000 K
Lumen Flux	: 120-140 lm/W (lumen efficacy: 160 -180 lm)
Dimension	: L-425 X W-325 X H-147 mm
Driver	: Internal
Operating Temp	: -40°C ~ + 70°C
CRI	: 85
IP Rating	: IP 67
Led used	: CREE ⇄
Dimmable Interface	: CASAMBI , Colour tunable (2700 K – 6000 K), DALI, Edge pulse/0/1-10 V dimming control (optional)

ORDERING INFORMATION

iLED	200	FL	005	W	WW	NW
Brand name	Rated Power	Flood Light	Model No.	White	Warm White	Neutral White

The technical specifications may vary due to continuous improvement without prior notice.

*Logos of products and companies are used for reference

www.iled.in

iLED Lighting Systems Pvt Ltd
Chennai, Tamil Nadu, India 600096