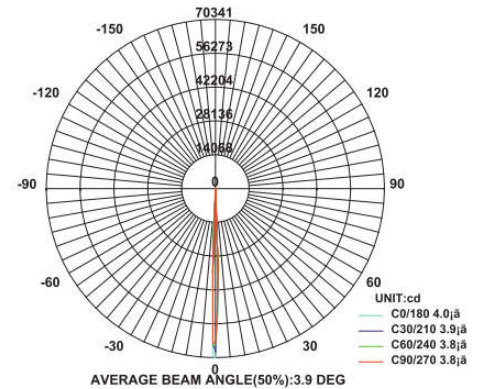
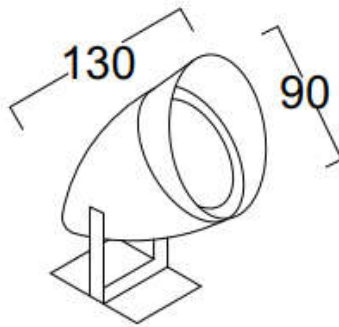


Wall Lights Outdoor



Model: iLED 10 OD 23 – Very Narrow Beam

PRODUCT DESCRIPTION

The wall luminaire is made of die cast aluminium. It is available in 10 W and emits light in a narrow beam. Universal power supply/drivers with input range of 90 V to 305 V AC 50/60 Hz and PF >0.96 are provided. It is ideal for facade, hoarding, name board building, tunnel, petrol bunk stage etc.

Different fixture colours available on request.

SPECIFICATION

Material	: Ventilated powder coated die cast aluminum with special narrow beam angle tempered glass
Mounting	: Surface Mount
Power	: 10 W
Voltage	: 90 – 305 V AC 50/60 Hz
Power Factor	: >0.96
LED colors	: White 6000-6400 K Neutral White 4000-4500 K Warm White 2700-3000 K
Lumen Flux	: 120-140 lm/W (lumen efficacy: 160 -180 lm)
Dimension	: D-80 x H-165 mm
Driver	: Internal
Operating Temp	: -40°C ~ + 70°C
CRI	: 85
IP Rating	: IP 65
Led used	: CREE
Dimmable Interface	: CASAMBI , Colour tunable (2700 K – 6000 K), DALI, Edge pulse/0/1-10 V dimming control (optional)

ORDERING INFORMATION

iLED	10	OD	23	W	WW	NW
Brand name	Rated Power	Outdoor	Model No.	White	Warm White	Neutral White