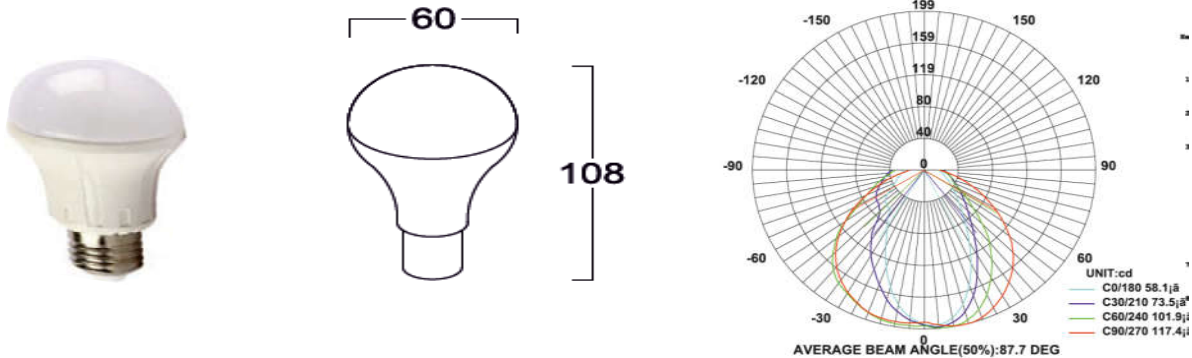


Bulbs



Model: iLED 9 B 03, iLED 13 B 04

PRODUCT DESCRIPTION

The bulb is made of thermoplastic with PMMA milky cover and available in the range of 9 W to 13 W. Universal power supply/drivers with input range of 90 V to 270 V AC, 50/60 Hz and PF >0.96. It is ideal for hotel, restaurants, home, hospitals etc.

Different fixture colours available on request.

SPECIFICATION

Material	: Thermoplastic with PMMA milky cover
Mounting	: Retrofit: E27/B22
Power	: 9 W, 13 W
Voltage	: 90 – 270 V AC, 50/60 Hz
Power Factor	: >0.96
LED colors	: White 6000-6400 K Neutral White 4000-4500 K Warm White 2700-3000 K
Lumen Flux	: 120-140 lm/W (lumen efficacy: 160 -180 lm)
Dimension	: D-60 X H-108 mm, W-70 X H-125 mm
Driver	: Internal
Operating Temp	: -40°C ~ + 70°C
CRI	: 85
IP Rating	: IP 20
Led used	: CREE ⇄
Dimmable Interface	: CASAMBI , Colour tunable (2700 K – 6000 K), DALI, Edge pulse/0/1-10 V dimming control (optional)

ORDERING INFORMATION

iLED	9	B	03	W	WW	NW
Brand name	Rated Power	Bulb	Model No.	White	Warm White	Neutral White

The technical specifications may vary due to continuous improvement without prior notice.

*Logos of products and companies are used for reference

www.iled.in

iLED Lighting Systems Pvt Ltd
Chennai, Tamil Nadu, India 600096