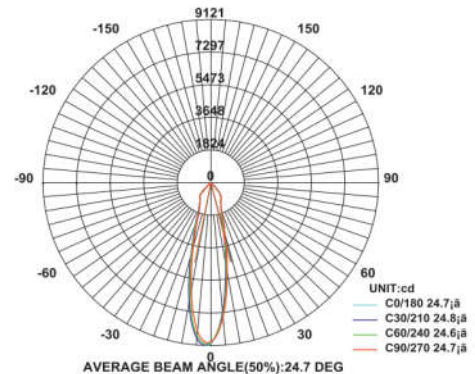
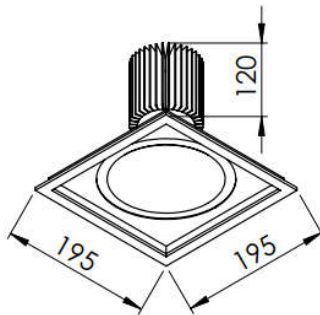


COB Down Light



Model: iLED 20/30 SDL COB 08

PRODUCT DESCRIPTION

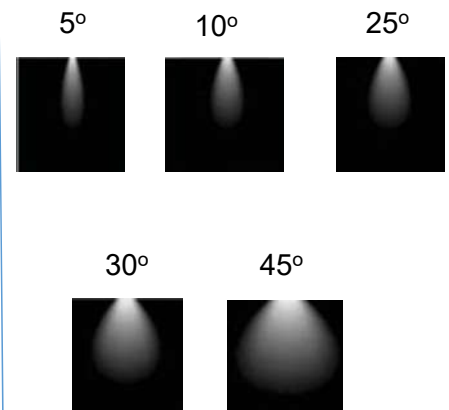
These recessed mount luminaire is made of aluminium and depending on the fixture size it is available in the range of 20 W to 60 W. Universal power supply/drivers with input range of 90 V to 270 V AC 50/60 Hz and PF >0.96. It is ideal for hotel, showroom, home, office, theatres, auditorium, etc.

Different fixture colours available on request.

SPECIFICATION

Material	: Ventilated aluminium cooling with polished reflector
Mounting	: Recessed mount
Power	: 20 W / 30 W
Voltage	: 90 – 270 V AC 50/60 Hz
Power Factor	: >0.96
LED colors	: White 6000-6400 K Neutral White 4000-4500 K Warm White 2700-3000 K
Lumen Flux	: 120-140 lm/W (lumen efficacy: 160 -180 lm)
Dimension	: L-195 X W-195 X H-105 mm
Cut-out dimension	: 165 X 165 mm
Driver	: External
Operating Temp	: -40°C ~ + 70°C
CRI	: 85
IP Rating	: IP 20
Led used	: CREE ⇄
Dimmable Interface	: CASAMBI , Colour tunable (2700 K – 6000 K), DALI, Edge pulse/0/1-10 V dimming control (optional)

BEAM ANGLE



VARIANTS

MODEL	RATED POWER	DIMENSION
iLED 20/30 SDL COB 08	20/30 W	L-195 X W-195 X H-105 mm
iLED 40/60 SDL COB 09	40/60 W	L-340 X W-195 X H-105 mm

ORDERING INFORMATION

iLED	20/30	SDL	COB	08	W	WW	NW
Brand name	Rated Power	Square Down Light	Chip On Board	Model No.	White	Warm White	Neutral White

The technical specifications may vary due to continuous improvement without prior notice.

*Logos of products and companies are used for reference

www.iled.in

iLED Lighting Systems Pvt Ltd
Chennai, Tamil Nadu, India 600096