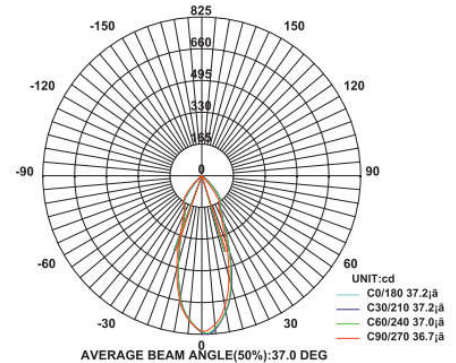
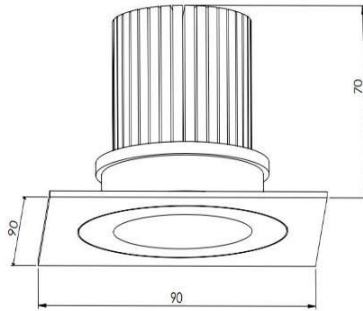


## COB Down Light



**Model:** iLED 12 SDL COB 04

### PRODUCT DESCRIPTION

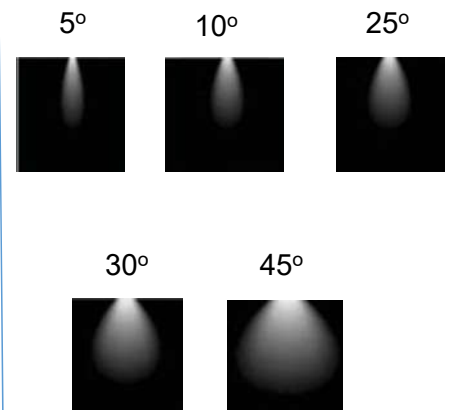
The recessed mount luminaire is made of aluminium and depending on the fixture size it is available in the range of 4 to 40 W. Universal power supply/drivers with input range of 90 V to 270 V AC 50/60 Hz and PF >0.96 are provided. It is ideal for hotel, showroom, home, office, theatres, auditorium, etc.

*Different fixture colours available on request.*

### SPECIFICATION

Material	: Ventilated aluminium cooling with polished reflector
Mounting	: Recessed mount
Power	: 12 W
Voltage	: 90 – 270 V AC 50/60 Hz
Power Factor	: >0.96
LED colors	: White 6000-6400 K Neutral White 4000-4500 K Warm White 2700-3000 K
Lumen Flux	: 120-140 lm/W (lumen efficacy: 160 -180 lm)
Dimension	: L-90 X W-90 X H-70 mm
Cut-out diameter	: 72 mm
Driver	: External
Operating Temp	: -40°C ~ + 70°C
CRI	: 85
IP Rating	: IP 20
Led used	: <b>CREE</b> ⇄
Dimmable Interface	: <b>CASAMBI</b> , Colour tunable (2700 K – 6000 K), DALI, Edge pulse/0/1-10 V dimming control (optional)

### BEAM ANGLE



## VARIANTS

MODEL	RATED POWER	DIMENSION
iLED 4/6 RDL COB 01	4/6 W	D-70 X H-50 mm
iLED 6 SDL COB 02	6 W	L-80 X W-80 X H-50 mm
iLED 12 RDL COB 03	12 W	D-90 X H-70 mm
iLED 12 SDL COB 04	12 W	L-90 X W-90 X H-70 mm
iLED 18 RDL COB 05	18 W	D-135 X H-80 mm
iLED 24 RDL COB 06	24 W	D-160 X H-97 mm
iLED 40 RDL COB 07	40 W	D-180 X H-120 mm

## ORDERING INFORMATION

iLED	12	SDL	COB	04	W	WW	NW
Brand name	Rated Power	Round Down Light	Chip On Board	Model No.	White	Warm White	Neutral White

The technical specifications may vary due to continuous improvement without prior notice.

\*Logos of products and companies are used for reference

[www.iled.in](http://www.iled.in)

iLED Lighting Systems Pvt Ltd  
Chennai, Tamil Nadu, India 600096